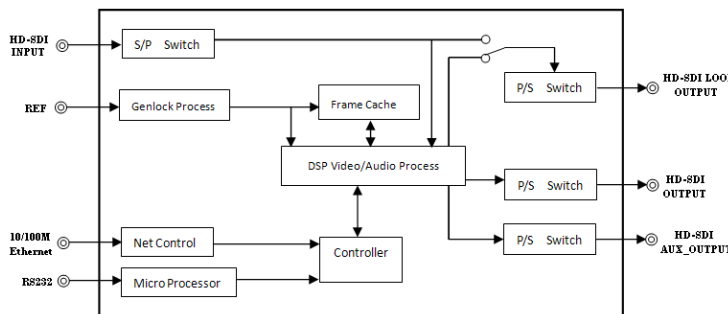


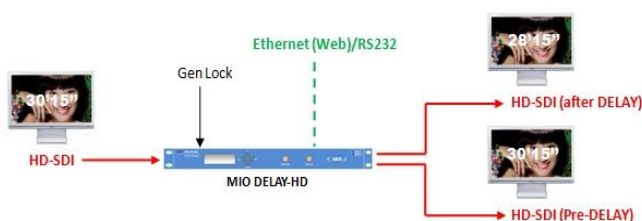
Description

VIO9020-DL provides effective audio/video delay for HD or SD signal in a 1RU chassis. The video delay time of VIO9020-DL is up to 90 seconds, and programmable through frames or seconds. Built-in 10-Bit high performance digital TBC and frame Sync. for an always perfect and clean video output. VIO9020-DL can be used in the Live talk shows, awards specials, telephone call-ins, courtroom TV, breaking news, to prevent illegal live program to be aired. VIO9020-DL signal has the adjustment capability of aligns incoming and outgoing signals. It is an ideal solution for applications which require multi- synchronous of various feeds from studios, satellites, microwave, and other non-synchronous sources.

Block Diagram



Application



Ordering Information

VIO9020-DL	HD-SDI/SDI delay, HD-SDI max delay 20S, SD-SDI max delay 90S
VIO9020-DL+	HD-SDI/SDI delay, HD-SDI max delay 120S, SD-SDI max delay 480S

Key Features

- Compatible with the digital HD-SDI/SD-SDI Embedded signal
- The maximum delay time up to 480 seconds for SD I
- The maximum delay time up to 90 seconds for HD-SDI digital embedded signals
- Frame by frame adjustable.
- Audio offsets independence to match the video delay during the signals' transmission
- Audio Mute button to remove unwanted audio parts from the live programs
- Provides RS-232 as the external remote control port
- Power-off input signal bypass
- Redundant power supply
- SNMP support
- Standard 1U frame

Specifications

Video inputs: 1*SD/HD-SDI

BB input: 1*CVBS

Video outputs: 3*SD/HD-SDI

Formats:

SD: 576i50, 480i59.94

HD: SMPTE 274M: 1080i 59.94, 1080i50

SMPTE 296M: 720p 59.94, 720p50

Connector: BNC, 75 ohm

External Control:

1* COM (RS-232) 1* RJ45

Power: 36W, 110~250V AC

Working Environment: