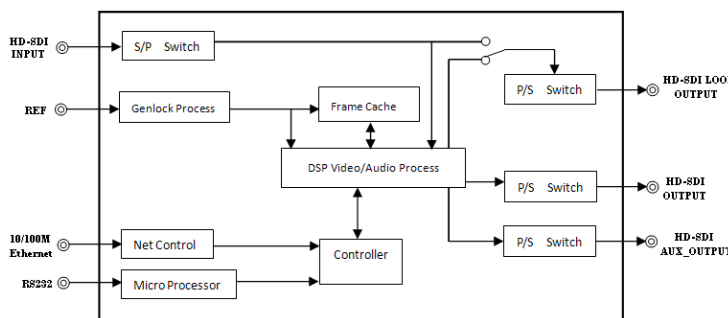


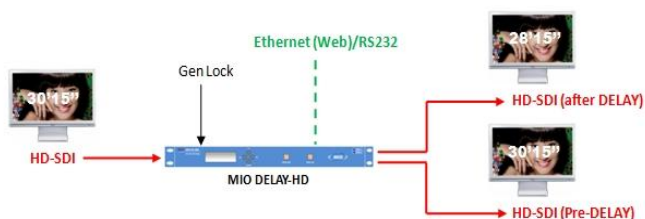
Description

VIO9020-HDL provides effective audio/video delay for HD or SD signal in a 1RU chassis. The video delay time of VIO9020-HDL is up to 90 seconds, and programmable through frames or seconds. Built-in 10-Bit high performance digital TBC and frame Sync. for an always perfect and clean video output VIO9020-HDL can be used in the Live talk shows, awards specials, telephone call-ins, courtroom TV, breaking news, to prevent illegal live program to be aired. VIO9020-HDL signal has the adjustment capability of aligns incoming and outgoing signals. It is an ideal solution for applications which require multi- synchronous of various feeds from studios, satellites, microwave, and other non-synchronous sources.

Block Diagram



Application



Ordering Information

| | |
|--------------|--|
| VIO9020-HDL | HD-SDI delay line, HD-SDI max delay 20S |
| VIO9020-HDL+ | HD-SDI delay line, HD-SDI max delay 120S |
| VIO9020-DL | SD-SDI delay line, SD-SDI max delay 90S |
| VIO9020-DL+ | SD-SDI delay line, SD-SDI max delay 480S |

Key Features

- Compatible with the digital HD-SDI Embedded signal
- The maximum delay time up to 90 seconds for HD-SDI
- Frame by frame adjustable.
- Audio offsets independence to match the video delay during the signals' transmission
- Audio Mute button to remove unwanted audio parts from the live programs
- Provides RS-232 as the external remote control port
- Power-off input signal bypass
- Redundant power supply
- SNMP support
- Standard 1U frame

Specifications

Video inputs: 1*/HD-SDI

BB input: 1*CVBS

Video outputs: 3*HD-SDI

Formats:

HD: SMPTE 274M: 1080i 59.94, 1080i50

SMPTE 296M: 720p 59.94, 720p50

Connector: BNC, 75 ohm

External Control:

1* COM (RS-232) 1* RJ45

Power: 36W, 110~250V AC

Working Environment: